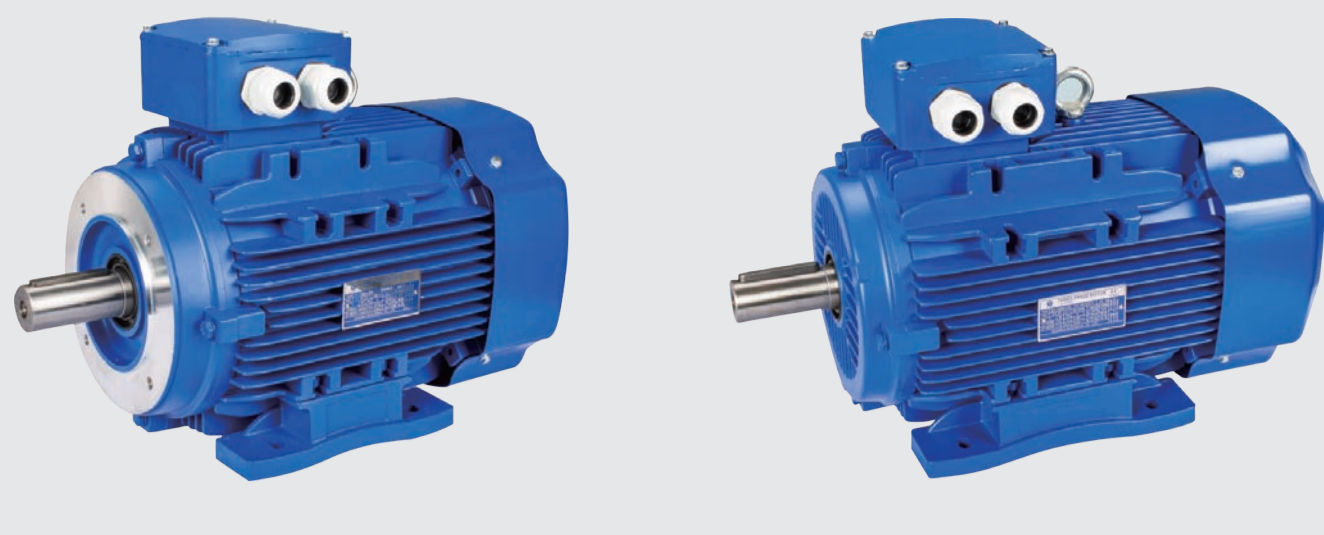


GE4三相异步电动机

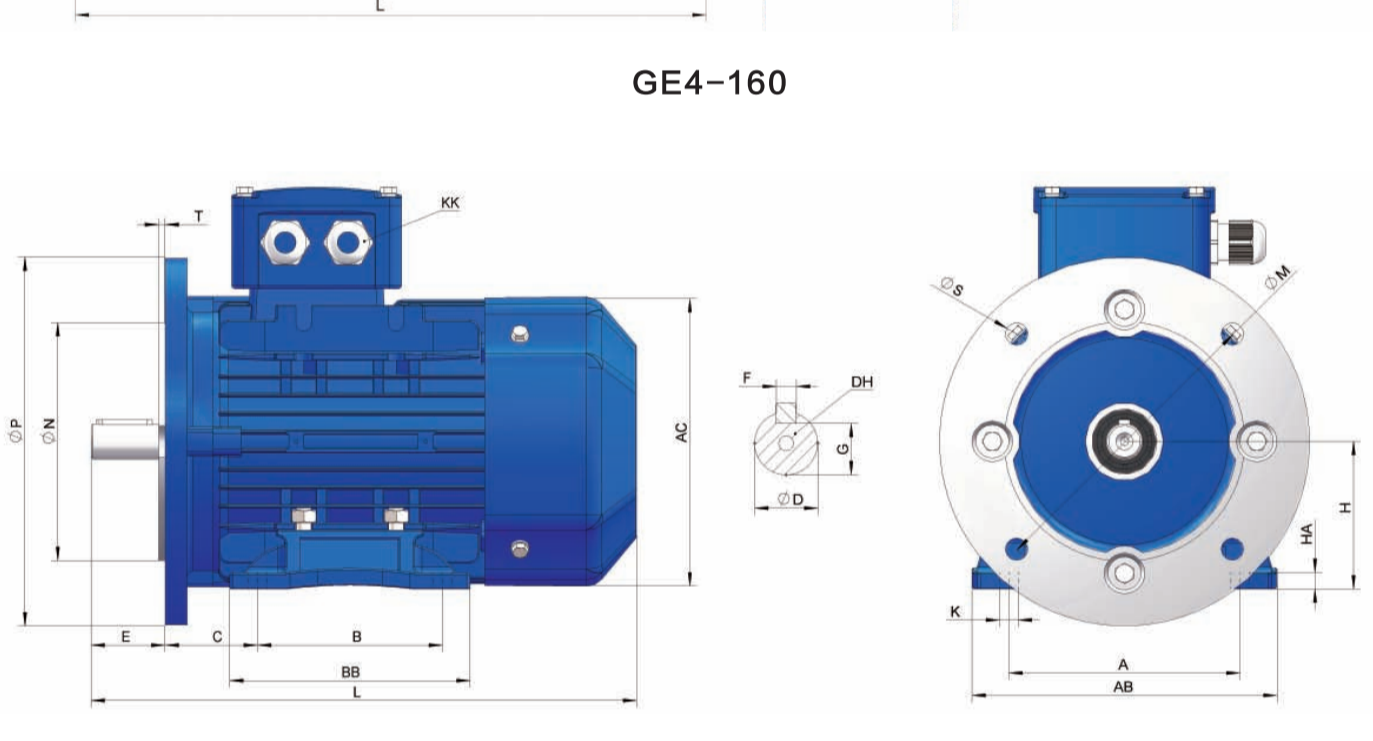
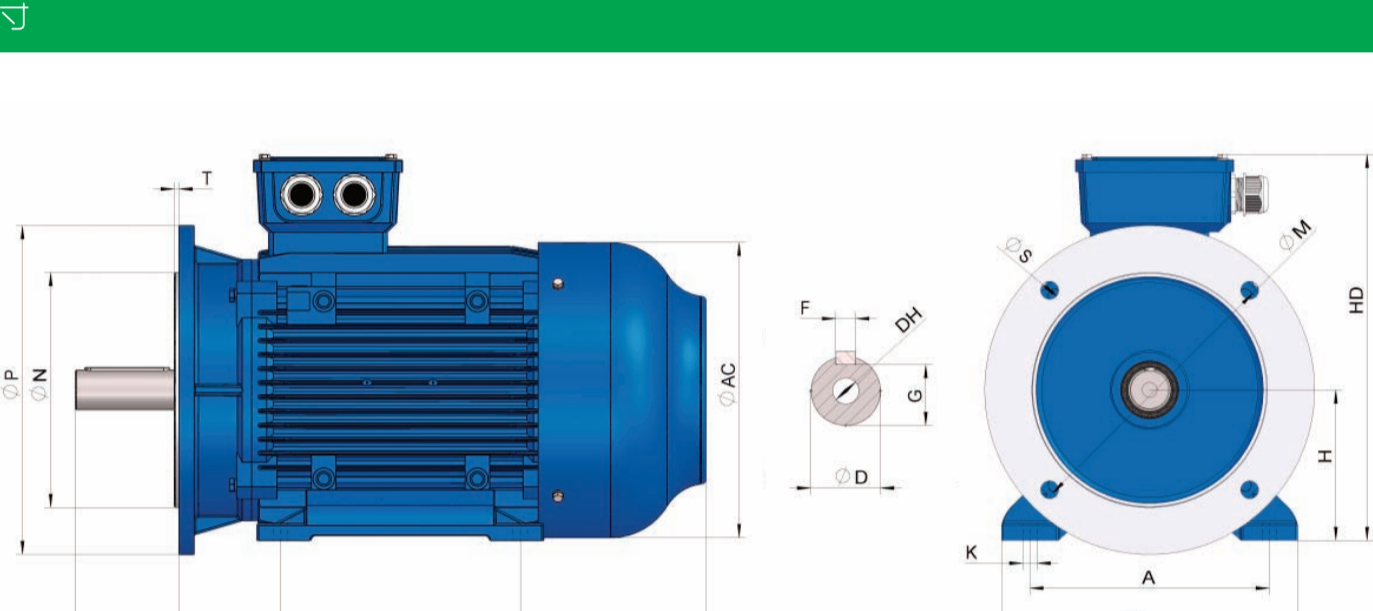


技术参数

TECHNICAL DATA OF IE4 SERIES

NO.	Frame reference and size	Rated power		Full load current at rated voltage			Full load speed in revolutions per minute	Rated torque	Frequency at constant power	Locked-Rotor torque ratio	Direct on line pull out torque ratio	Locked-Rotor current ratio	Efficiency	Power factor	Mean sound pressure level @1m on no load	Weight
		Output	Output	Amps (A)												
	Type	KW	HP	380V	400V	415V	r/min	N.m	Hz	LRT/RLT	BDT/RLT	LRA/LRA	EFF. %	P.F. CosΦ	Noise LwdB(A)	Weight kg
2	GE4-63M-2	0.18	0.25	0.48	0.46	0.44	2740	0.63	50	2.3	2.3	5.5	70.8	0.8	61	4.7
3	GE4-63M2-2	0.25	0.34	0.63	0.60	0.58	2740	0.87	50	2.3	2.3	5.5	74.3	0.81	61	4.9
4	GE4-71M-2	0.37	0.5	0.89	0.84	0.81	2780	1.27	50	2.2	2.3	6.1	78.1	0.81	62	7.1
5	GE4-71M2-2	0.55	0.75	1.3	1.2	1.1	2795	1.88	50	2.3	2.3	6.1	81.5	0.82	62	7.4
6	GE4-80M-2	0.75	1	1.6	1.6	1.5	2890	2.48	50	2.2	2.3	8.5	83.5	0.83	62	10
7	GE4-80M2-2	1.1	1.5	2.4	2.2	2.2	2890	3.63	50	2.2	2.3	8.5	85.2	0.83	62	11
8	GE4-90S-2	1.5	2	3.1	2.9	2.8	2890	4.96	50	2.2	2.3	9.0	86.5	0.85	67	17
9	GE4-90L-2	2.2	3	4.4	4.2	4.0	2895	7.26	50	2.2	2.3	9.0	88.0	0.86	67	21
10	GE4-100L-2	3	4	5.9	5.6	5.4	2895	9.90	50	2.2	2.3	9.5	89.1	0.87	74	27
11	GE4-112M-2	4	5.5	7.7	7.3	7.0	2915	13.10	50	2.2	2.3	9.5	90.0	0.88	77	35
12	GE4-132S1-2	5.5	7.5	10.4	9.9	9.6	2940	17.87	50	2.0	2.3	9.5	90.9	0.88	79	47
13	GE4-132S2-2	7.5	10	14.0	13.3	12.8	2940	24.36	50	2.0	2.3	9.5	91.7	0.89	79	53
14	GE4-160M1-2	11	15	20.3	19.3	18.6	2950	35.61	50	2.0	2.3	9.5	92.6	0.89	81	129
15	GE4-160M2-2	15	20	27.4	26.1	25.1	2950	48.56	50	2.0	2.3	9.5	93.3	0.89	81	140
16	GE4-160L-2	18.5	25	33.7	32.0	30.9	2950	59.89	50	2.0	2.3	9.5	93.7	0.89	81	165
30	GE4-63M1-4	0.12	0.16	0.36	0.34	0.33	1330	0.86	50	2.2	2.1	4.4	69.8	0.72	52	4.7
31	GE4-63M2-4	0.18	0.25	0.50	0.48	0.46	1330	1.29	50	2.2	2.1	4.4	74.7	0.73	52	4.9
32	GE4-71M1-4	0.25	0.34	0.66	0.63	0.60	1360	1.76	50	2.2	2.1	5.2	77.9	0.74	55	7.1
33	GE4-71M2-4	0.37	0.5	0.94	0.89	0.86	1360	2.60	50	2.2	2.1	5.2	81.1	0.74	55	7.4
34	GE4-80M1-4	0.55	0.75	1.3	1.3	1.2	1420	3.70	50	2.3	2.4	5.2	83.9	0.74	56	12
35	GE4-80M2-4	0.75	1	1.8	1.7	1.6	1430	5.01	50	2.3	2.3	8.5	85.7	0.74	56	13
36	GE4-90S-4	1.1	1.5	2.6	2.4	2.3	1445	7.27	50	2.3	2.3	8.5	87.2	0.75	59	16
37	GE4-90L-4	1.5	2	3.4	3.2	3.1	1445	9.91	50	2.3	2.3	9.0	88.2	0.76	59	20
38	GE4-100L1-4	2.2	3	4.7	4.5	4.3	1460	14.39	50	2.3	2.3	9.0	89.5	0.79	64	29
39	GE4-100L2-4	3	4	6.3	6.0	5.8	1460	19.62	50	2.3	2.3	9.5	90.4	0.80	64	33.5
40	GE4-112M4	4	5.5	8.3	7.9	7.6	1460	26.16	50	2.3	2.3	9.5	91.1	0.80	65	41
41	GE4-132S-4	5.5	7.5	11.4	10.8	10.4	1470	35.73	50	2.0	2.3	9.5	91.9	0.80	71	57
42	GE4-132M-4	7.5	10	15.2	14.4	13.9	1470	48.72	50	2.0	2.3	9.5	92.6	0.81	71	67
43	GE4-160M-4	11	15	21.6	20.5	19.8	1470	71.46	50	2.2	2.3	9.5	93.3	0.83	73	139
44	GE4-160L-4	15	20	28.9	27.4	26.5	1470	97.45	50	2.0	2.3	9.5	93.9	0.84	73	163
61	GE4-71M1-6	0.18	0.25	0.59	0.56	0.54	880	1.95	50	2.0	1.9	4.0	70.1	0.66	52	6.3
62	GE4-71M2-6	0.25	0.34	0.75	0.72	0.69	880	2.71	50	2.0	1.9	4.0	74.1	0.68	52	6.3
63	GE4-80M1-6	0.37	0.5	1.0	1.0	0.94	890	3.97	50	2.0	1.9	4.7	78.0	0.70	54	00/1
64	GE4-80M2-6	0.55	0.75	1.5	1.4	1.4	890	5.90	50	2.1	1.9	4.7	80.9	0.70	54	13.5
65	GE4-90S-6	0.75	1	2.0	1.9	1.8	955	7.50	50	2.1	2.1	7.5	82.7	0.70	57	17
66	GE4-90L-6	1.1	1.5	2.8	2.7	2.6	955	11.00	50	2.1	2.1	7.5	84.5	0.70	57	21.5
67	GE4-100L-6	1.5	2	3.7	3.6	3.4	955	15.00	50	2.1	2.1	7.5	85.9	0.71	61	28
68	GE4-112M-6	2.2	3	5.4	5.1	4.9	970	21.66	50	2.1	2.1	7.5	87.4	0.71	65	34
69	GE4-132S-6	3	4	7.2	6.9	6.6	970	29.54	50	2.0	2.1	7.5	88.6	0.71	69	47
70	GE4-132M1-6	4	5.5	9.4	9.0	8.6	970	39.38	50	2.0	2.1	8.0	89.5	0.72	69	59
71	GE4-132M2-6	5.5	7.5	12.8	12.2	11.7	970	54.15	50	2.0	2.1	8.0	90.5	0.72	69	65
72	GE4-160M-6	7.5	10	17.1	16.2	15.7	980	73.09	50	2.0	2.1	8.0	91.3	0.73	73	128
73	GE4-160L-6	11	15	23.5	22.3	21.5	980	107.19	50	2.0	2.1	8.5	92.3	0.77	73	168
88	GE4-80M1-8	0.18	0.25	0.67	0.63	0.61	660	2.60	50	1.9	1.8	3.3	67.2	0.61	52	11.5
89	GE4-80M2-8	0.25	0.34	0.88	0.84	0.81	660	3.62	50	1.9	1.8	3.3	70.8	0.61	52	12.5
90	GE4-90S-8	0.37	0.5	1.2	1.2	1.1	685	5.16	50	1.9	1.8	4.0	74.3	0.61	56	15
91	GE4-90L-8	0.55	0.75	1.8	1.7	1.6	690	7.61	50	2.0	1.8	4.0	77.0	0.61	56	17.5
92	GE4-100L1-8	0.75	1	2.2	2.1	2.0	700	10.23	50	2.0	2.0	7.0	78.4	0.66	59	26
93	GE4-100L2-8	1.1	1.5	3.1	2.9	2.8	700	15.01	50	2.0	2.0	7.0	80.8	0.67	59	28
94	GE4-112M-8	1.5	2	4.0	3.8	3.7	710	20.18	50	2.0	2.0	7.0	82.6	0.69	61	31.5
95	GE4-132S-8	2.2	3	5.7	5.4	5.2	720	29.18	50	1.8	2.0	7.5	84.5	0.70	64	45
96	GE4-132M-8	3	4	7.6	7.2	6.9	720	39.79	50	1.8	2.0	7.8	85.9	0.70	64	52.5
97	GE4-160M1-8	4	5.5	9.8	9.3	9.0	730	52.33	50	1.8	2.0	7.9	87.1	0.71	68	85
98	GE4-160M2-8	5.5	7.5	13.1	12.5	12.0	730	71.95	50	1.8	2.0	8.1	88.3	0.72	68	100
99	GE4-160L-8	7.5	10	17.2	16.4	15.8	730	98.12	50	1.8	2.0	7.8	89.3	0.74	68	120

安装尺寸



FRAME WITH FEET AND END-SHIELD WITH FLANGE(IM B35)

FRAME SIZE	POLES	A	A/2	B	C	D	E	F	G	H	K	M	N	P	S	T	FLANGE HOLES	AB	AC	AD	HD	L	DH*
56	2 4 6 8	90	45	71	36	9	20	3	7.2	56	5.8	100	80	120	7	3	4	115	110	100	156	199	M4X12
63	2 4 6 8	100	50	80	40	11	23	4	8.5	63	7	115	95	140	10	3	4	137	123	111	174	221	M4X12
71	2 4 6 8	112	56	90	45	14	30	5	11	71	7	130	110	160	10	3.5	4	133	137	127	198	247	M5X12
80M	2 4 6 8	125	62.5	100	50	19	40	6	15.5	80	10	165	130	200	12	3.5	4	165	158	140	220	295	M6X16
90S	2 4 6 8	140	70	100	56	24	50	8	20	90	10	165	130	200	12	3.5	4	180	177	160	255	353	M8X19
90L	2 4 6 8	140	70	125	56	24	50	8	20	90	10	165	130	200	12	3.5	4	180	177	160	255	373	M8X19
100L	2 4 6 8	160	80	140	63	28	60	8	24	100	12	215	180	250	15	4	4	205	198	172	270	433	M10X22
112M	2 4 6 8	190	95	140	70	28	60	8	24	112	12	215	180	250	15	4	4	226	235	193	300	461	M10X22
132S	2 4 6 8	216	108	140	89	38	80	10	33	132	12	265	230	300	15	4	4	262	293	225	349	499	M12X28
132M	2 4 6 8	216	108	178	89	38	80	10	33	132	12	265	230	300	15	4	4	262	293	225	349	521	M12X28
160M	2 4 6 8	254	127	210	108	42	110	12	37	160	15	300	250	350	19	5	4	320	315	255	420	660	M16X36
160L	2 4 6 8	254	127	254	108	42	110	12	37	160	15	300	250	350	19	5	4	320	315	255	420	730	M16X36

接线盒数据

接线盒主要数据

接线盒分档	机座范围	最大满载电流	进线孔尺寸
1	H80	2.6	2×M20×1.5
2	H90-100	6.8	2×M25×1.5
3	H112-132	15.4	2×M35×1.5
4	H160-180	42.5	2×M40×1.5
5	H200-225	84.2	2×M50×1.5
6	H250-280	166.6	2×M63×1.5
7	H315	358	2×M63×1.5
8	H355	546	2×M63×1.5

轴承规格

轴承规格

外形尺寸	级数	轴伸端	非轴伸端
80	2-4	6204-2RZ	6204-2RZ
90	2-6	6205-2RZ	6205-2RZ
100	2-6	6206-2RZ	6206-2RZ